

SCHMITZ SKO 24 DOPPELSTOCK THERMOKING SL

KLEYN TRUCKS

KLEYN GROUP KLEYN VANS KLEYN TRAILERS KLEYN SERVICES



Itemno 288810
Kind Semi-trailer
Specification Frigo
Matriculation year 2014 / 11
Mileage

Chassisnumber
WSM00000005134940

Technical condition

Remarks

(A15)

Price €26900



Kleyn Trucks B.V.®
PO Box 3
4214 ZJ Vuren
Industrieweg 2
4214 KZ Vuren
The Netherlands

IBAN: NL91RABO0103247157
SWIFT/BIC: RABONL2U

KvK 11013784
BTW/VAT NL004676841B01

Equipment

Chassis

Number of axles 3
Own weight 8,802 kg
Gross vehicle weight 39,000 kg
Chassis type Incomplete chassis
Chassis material steel
Kingpin size 2 inch
Suspension type full air suspension

Drivetrain

Engine capacity (0 Hp)
ABS
EBS

Superstructure

Matr. year superstructure 2,014
Inner box length 1,340 cm
Inner box width 250 cm
Inner box height 265 cm
Netto height 264 cm

Refrigeration unit

Enginemake frigo-unit Thermoking
Enginetype frigo-unit slxe400
Enginetype frigo-unit fuel and electrical
Working hours electric 16
Working hours diesel 5,551
Wall thickness 40 mm

Axle

Axle make SCHMITZ

Contact information



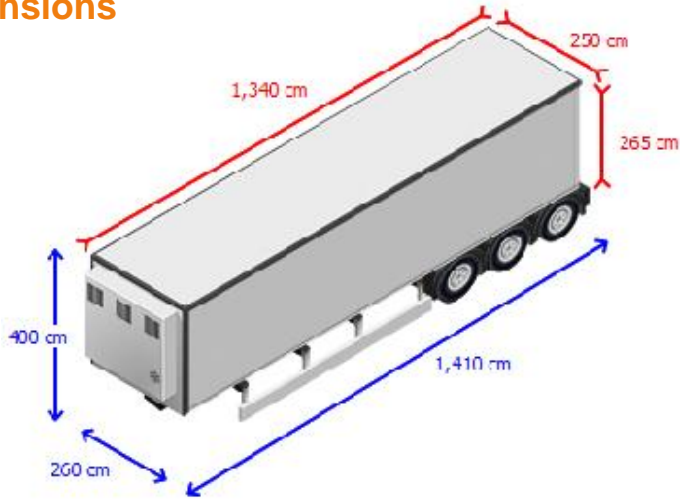
info@kleyn.com
Tel: +31 183 668 222

Certified and professional



Kleyn Trucks differentiates itself from its competitors by offering expert technical services, safety inspections and repair.

Dimensions



KLEYN TRUCKS

KLEYN GROUP KLEYN VANS KLEYN TRAILERS KLEYN SERVICES

Kleyn Trucks B.V.®
PO Box 3
4214 ZJ Vuren
Industrieweg 2
4214 KZ Vuren
The Netherlands

IBAN: NL91RABO0103247157
SWIFT/BIC: RABONL2U

KvK 11013784
BTW/VAT NL004676841B01

Inspection report

Superstructure

Internal condition

External condition

Refrigeration unit

Systems

Tyres/Wheels

Tyres

Tires and axles



1
Tire size: 385/65R22,5
air suspension
Disc brakes



2
Tire size: 385/65R22,5
air suspension
Disc brakes



3
Tire size: 385/65R22,5
air suspension
Disc brakes

Contact information



info@kleyn.com
Tel: +31 183 668 222

Legenda for inspection report

Very good state
 Good state
 Reasonable state
 Moderate state
 Does not meet requirements