



Make	SCHMITZ
Type	SCS 24/L
Kind	Semi-trailer
Specification	Curtainsider
Matriculation year	2014
Chassisnumber	WSM00000003198670
Mileage	
Technical condition	★★★★☆



More information about this vehicle?

Contact me

Kleyn

+31 183 668 222

info@kleyn.com

## Equipment

### Chassis

Number of axles	3
Own weight	6,801 kg
Gross vehicle weight	39,000 kg
Chassis type	Complete chassis
Chassis material	steel
Kingpin size	2 inch
Suspension type	full air suspension

### Cabin

Color	Blue
-------	------

### Drivetrain

ABS	✓
EBS	✓

### Superstructure

Matr. year superstructure	2,014
Sliding roof	✓

### Axle

Axle make	SCHMITZ
-----------	---------

## Inspection report

### Superstructure

Internal condition



External condition



### Tyres/Wheels

Tyres



Very good state



Good state



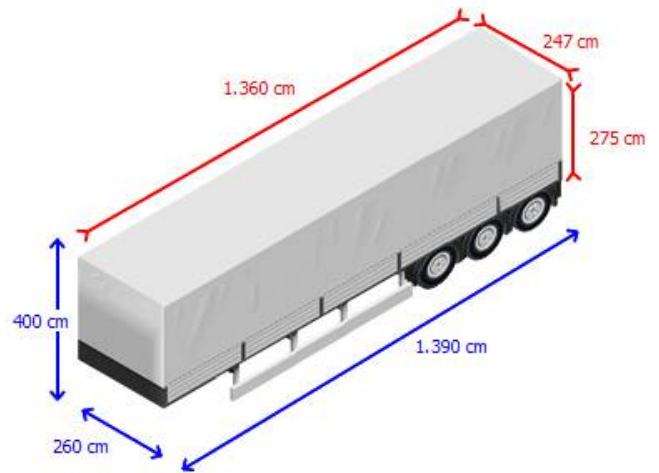
Reasonable state



Moderate state



Does not meet requirements



## Tires and axles

