



Make	PACTON
Type	40 FT 2 AXLES BPW
Kind	Semi-trailer
Specification	Container transport
Matriculation year	1973
Chassisnumber	C26608
Mileage	
Technical condition	★★★★☆

Price

€ 3450



More information about this vehicle?

Contact me

Kleyn

+31 183 668 222

info@kleyn.com

## Equipment

### Chassis

Number of axles	2
Twin tires	✓
Own weight	3,900 kg
Gross vehicle weight	29,700 kg
Chassis type	Complete chassis
Chassis material	steel
Kingpin size	2 inch
Suspension type	spring suspension

### Cabin

Color	Red
-------	-----

### Superstructure

Matr. year superstructure	1,972
Twistlocks	1x40

### Axle

Axle make	BPW
-----------	-----

### Remarks

STACK OF 2, PRICE PER PIECE

## Inspection report

### Superstructure

External condition



### Tyres/Wheels

Tyres



Very good state



Good state



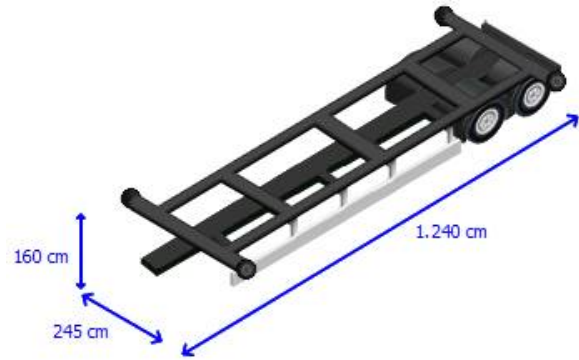
Reasonable state



Moderate state



Does not meet requirements



## Tires and axles

