



Make	CHEREAU
Type	2.5 TONS TAILLIFT
Kind	Semi-trailer
Specification	Frigo
Matriculation year	2012
Chassisnumber	VM4CSD31KCA002017
Mileage	
Technical condition	★★★★☆

Price

€ 18950



More information about this vehicle?

Contact me

Kleyn

+31 183 668 222

info@kleyn.com

Equipment

Chassis

Number of axles	3
Own weight	9,800 kg
Gross vehicle weight	39,000 kg
Chassis type	Complete chassis
Chassis material	steel
Kingpin size	2 inch
Suspension type	full air suspension

Cabin

Color	white
-------	-------

Drivetrain

ABS	✓
EBS	✓

Superstructure

Matr. year superstructure	2,012
---------------------------	-------

Refrigeration unit

Enginemade frigo-unit	Carrier
Enginetype frigo-unit	vector1550
Enginetype frigo-unit	fuel and electrical
Working hours electric	315
Working hours diesel	2,662
Wall thickness	45 mm

Axle

Axle make	BPW
-----------	-----

Taillift

Taillift	✓
Tail-lift kind	normal
Tail-lift capacity	2,500 kg

Taillift

Tail-lift make	d hollandia
Tail-lift material	steel
Tail-lift size	200x258
Tail-lift voltage	24

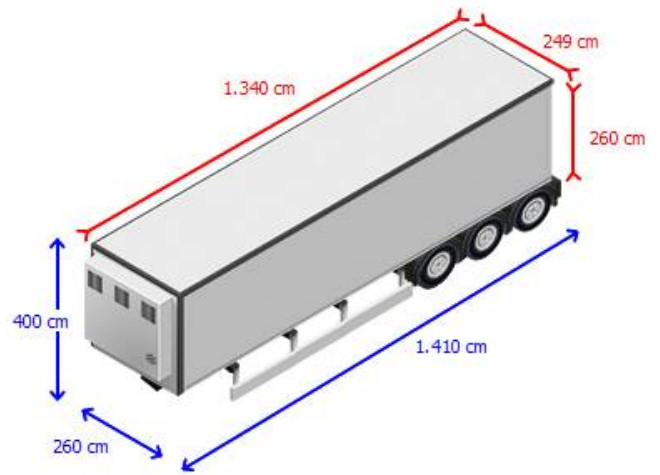
Remarks

LAATSTE AS GEDWONGEN GESTUURD, ACHTERSLUITKLEP / LAST AXLE STEERING

Inspection report

Superstructure	★★★★★
Internal condition	★★★★★
External condition	★★★★★
Refrigeration unit	★★★★★
Systems	★★★☆☆
Taillift	★★★★★
Controls	★★★★★
System	★★★★★
Tyres/Wheels	★★★★★
Tyres	★★★★★

★★★★★★	Very good state
★★★★★	Good state
★★★★☆	Reasonable state
★★★☆☆	Moderate state
★☆☆☆☆	Does not meet requirements



Tires and axles

