



Make	VAN ECK
Type	FRIGO UT3B
Kind	Semi-trailer
Specification	Frigo
Matriculation year	2010
Chassisnumber	XL9UT3342A0017081
Mileage	
Technical condition	★★★★☆

Price

€ 9900



More information about this vehicle?

Contact me

Kleyn

+31 183 668 222

info@kleyn.com

Equipment

Chassis

Number of axles	3
Loading Capacity	32,300 kg
Own weight	9,700 kg
Gross vehicle weight	42,000 kg
Chassis type	Complete chassis
Kingpin size	2 inch
Suspension type	full air suspension

Cabin

Color	white
-------	-------

Drivetrain

ABS	✓
EBS	✓

Refrigeration unit

Enginetype frigo-unit	Carrier
Enginetype frigo-unit	Vector 1850
Enginetype frigo-unit	fuel and electrical
Working hours electric	178
Working hours diesel	13,415
Isolated box	✓
Additional evaporator	✓

Axle

Axle make	BPW
-----------	-----

Taillift

Taillift	✓
Tail-lift kind	sliderlift
Tail-lift capacity	3,000 kg
Tail-lift make	Dhollandia

Taillift

Tail-lift material	steel and aluminium
--------------------	---------------------

Inspection report

Superstructure

Internal condition ★★★★★

External condition ★★★★★

Refrigeration unit

Systems ★☆☆☆☆

Taillift

Controls ★★★★★

System ★★★★★

Tyres/Wheels

Tyres ★★★★★



Very good state



Good state



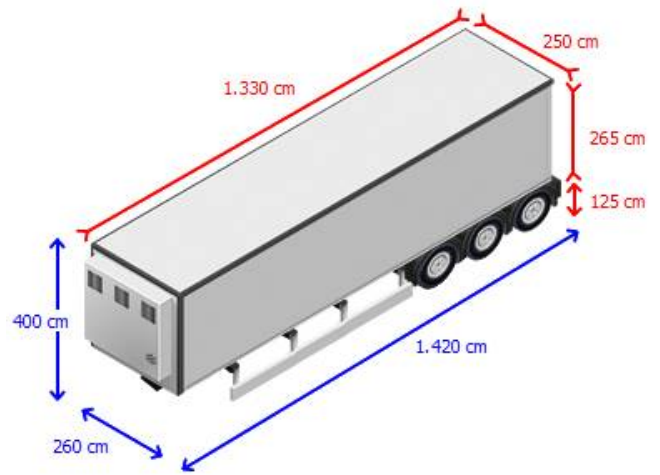
Reasonable state



Moderate state



Does not meet requirements



Tires and axles

