



Make	SCHMITZ
Type	SKO-24
Kind	Semi-trailer
Specification	Frigo
Matriculation year	2017
Chassisnumber	WSM00000005175357
Mileage	
Technical condition	★★★★☆



More information about this vehicle?

Contact me

Kleyn

+31 183 668 222

info@kleyn.com

Equipment

Chassis

Number of axles	3
Loading Capacity	30,493 kg
Own weight	8,507 kg
Gross vehicle weight	39,000 kg
Chassis type	Incomplete chassis
Chassis material	steel
Kingpin size	2 inch
Suspension type	full air suspension

Cabin

Color	white
-------	-------

Drivetrain

ABS	✓
EBS	✓

Superstructure

Matr. year superstructure	2,017
---------------------------	-------

Refrigeration unit

Enginemade frigo-unit	Thermoking
Enginetype frigo-unit	slxi300
Enginetype frigo-unit	fuel and electrical
Working hours electric	36
Working hours diesel	3,487
Wall thickness	45 mm

Axle

Axle make	SCHMITZ
-----------	---------

Tyres/Wheels

Sparewheel	✓
------------	---

Inspection report

Superstructure

Internal condition



External condition



Refrigeration unit

Systems



Tyres/Wheels

Tyres



Very good state



Good state



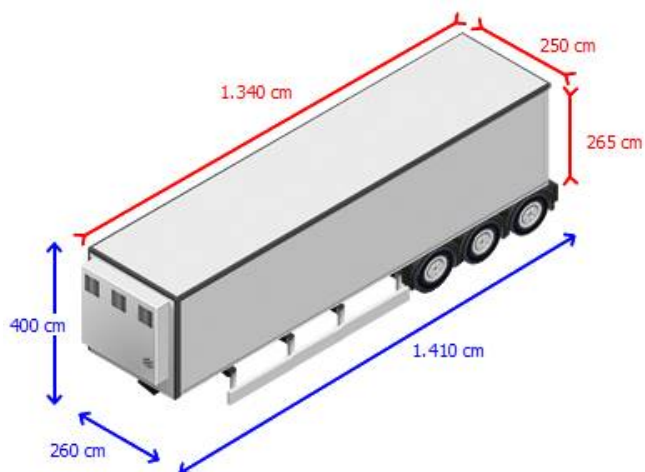
Reasonable state



Moderate state



Does not meet requirements



Tires and axles

