



Make	CHEREAU
Type	2 AXLES STEER+LIFT
Kind	Semi-trailer
Specification	Frigo
Matriculation year	2012
Chassisnumber	VM4CSD21KCA000056
Mileage	
Technical condition	★★★★☆



More information about this vehicle?

Contact me

Kleyn

+31 183 668 222

info@kleyn.com

Equipment

Chassis

Number of axles	2
Loading Capacity	23,500 kg
Own weight	9,500 kg
Gross vehicle weight	33,000 kg
Chassis type	Complete chassis
Chassis material	steel
Kingpin size	2 inch
Suspension type	full air suspension

Cabin

Color	white
-------	-------

Drivetrain

ABS	✓
EBS	✓

Superstructure

Matr. year superstructure	2,012
---------------------------	-------

Refrigeration unit

Enginemade frigo-unit	Carrier
Enginetype frigo-unit	vector1550
Enginetype frigo-unit	fuel and electrical
Working hours electric	925
Working hours diesel	3,662
Wall thickness	45 mm

Axle

Axle make	BPW
-----------	-----

Taillift

Taillift	✓
Tail-lift kind	normal

Taillift

Tail-lift capacity	2,500 kg
Tail-lift make	d hollandia
Tail-lift material	steel
Tail-lift size	200x258
Tail-lift voltage	24

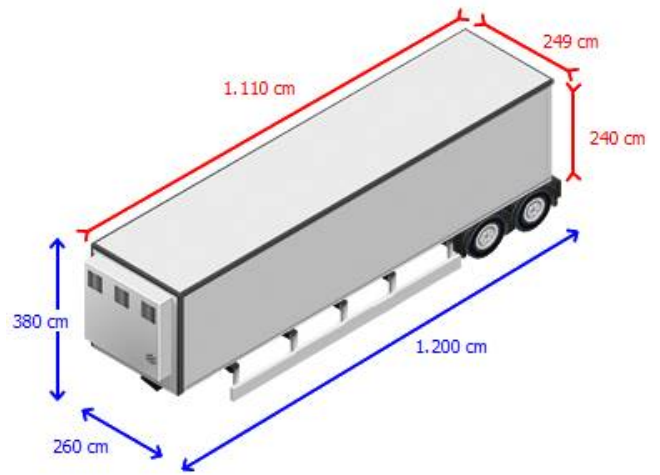
Remarks

11.1M INSIDE / 1ST AXLE LIFTING, 2ND AXLE STEERING / TAILLIFT / CARRIER V

Inspection report

Superstructure	★★★★★
Internal condition	★★★★★
External condition	★★★★★
Refrigeration unit	★★★★★
Systems	★★★★★
Taillift	★★★★★
Controls	★★★★★
System	★★★★★
Tyres/Wheels	★★★★★
Tyres	★★★★★

★★★★★★	Very good state
★★★★★	Good state
★★★★	Reasonable state
★★★	Moderate state
★	Does not meet requirements



Tires and axles

