



Make	CHEREAU
Type	11.1M INSIDE 2 AXLES
Kind	Semi-trailer
Specification	Frigo
Matriculation year	2012
Chassisnumber	VM4CSD21KCA000054
Mileage	
Technical condition	★★★★☆

Price

€ 16950



More information about this vehicle?

Contact me

Kleyn

+31 183 668 222

info@kleyn.com

## Equipment

### Chassis

Number of axles	2
Loading Capacity	23,500 kg
Own weight	9,500 kg
Gross vehicle weight	33,000 kg
Chassis type	Complete chassis
Chassis material	steel
Kingpin size	2 inch
Suspension type	full air suspension

### Cabin

Color	white
-------	-------

### Drivetrain

ABS	✓
EBS	✓

### Superstructure

Matr. year superstructure	2,012
---------------------------	-------

### Refrigeration unit

Enginemade frigo-unit	Carrier
Enginetype frigo-unit	vector1550
Enginetype frigo-unit	fuel and electrical
Working hours electric	1,127
Working hours diesel	3,172
Wall thickness	50 mm

### Axle

Axle make	BPW
-----------	-----

### Taillift

Taillift	✓
Tail-lift kind	normal

### Taillift

Tail-lift capacity	2,500 kg
Tail-lift make	d hollandia
Tail-lift material	steel
Tail-lift size	200x258
Tail-lift voltage	24

### Remarks

11.1M INSIDE / 1ST AXLE LIFTING, 2ND AXLE STEERING / TAILLIFT / CARRIER V

## Inspection report

### Superstructure

Internal condition ★★★★★

External condition ★★★★★

### Taillift

Controls ★★★★★

System ★★★★★

### Tyres/Wheels

Tyres ★★★★★



Very good state



Good state



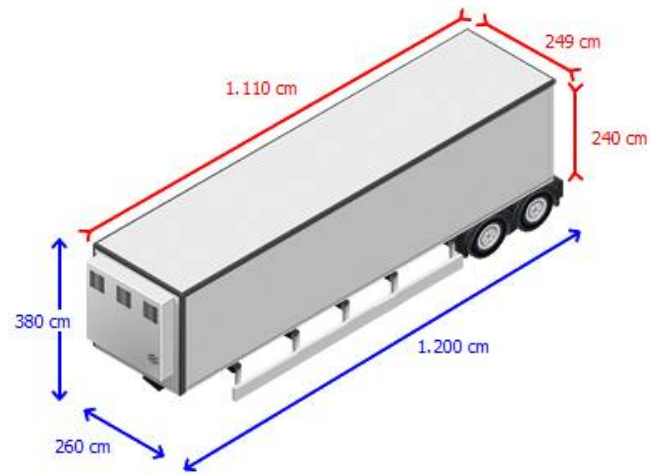
Reasonable state



Moderate state



Does not meet requirements



## Tires and axles

