



Make	CHEREAU
Type	11.1M INSIDE 2 AXLES
Kind	Semi-trailer
Specification	Frigo
Matriculation year	2012
Chassisnumber	VM4CSD21KCA000052
Mileage	
Technical condition	★★★★☆

Price

€ 16950



More information about this vehicle?

Contact me

Kleyn

+31 183 668 222

info@kleyn.com

Equipment

Chassis

Number of axles	2
Own weight	9,500 kg
Gross vehicle weight	33,000 kg
Chassis type	Complete chassis
Chassis material	steel
Kingpin size	2 inch
Suspension type	full air suspension

Cabin

Color	white
-------	-------

Drivetrain

ABS	✓
EBS	✓

Superstructure

Matr. year superstructure	2,012
---------------------------	-------

Refrigeration unit

Enginemade frigo-unit	Carrier
Enginetype frigo-unit	vector1550
Enginetype frigo-unit	fuel and electrical
Working hours electric	1,477
Working hours diesel	3,537
Wall thickness	45 mm

Axle

Axle make	BPW
-----------	-----

Taillift

Taillift	✓
Tail-lift kind	normal
Tail-lift capacity	2,500 kg

Taillift

Tail-lift make	d hollandia
Tail-lift material	steel
Tail-lift size	200x258
Tail-lift voltage	24

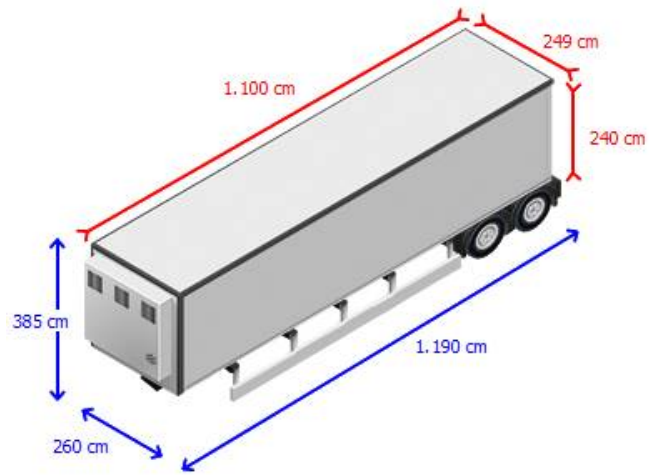
Remarks

BOX: 11.1 X 2.49 X 240 / 1ST AXLE LIFTING 2ND AXLE STEERING / 2500 KG TAIL

Inspection report

Superstructure	★★★★☆
Internal condition	★★★★☆
External condition	★★★★☆
Refrigeration unit	★★★★☆
Systems	★★★★☆
Taillift	★★★★☆
Controls	★★★★☆
System	★★★★☆
Tyres/Wheels	★★★★☆
Tyres	★★★★☆

★★★★★	Very good state
★★★★☆	Good state
★★★☆☆	Reasonable state
★★☆☆☆	Moderate state
★☆☆☆☆	Does not meet requirements



Tires and axles

