



Make	VAN ECK
Type	DT 3BNI
Kind	Semi-trailer
Specification	Frigo
Matriculation year	1998
Chassisnumber	XL9DT3339W0017063
Mileage	
Technical condition	★★★★☆



More information about this vehicle?

Contact me

Kleyn

+31 183 668 222

info@kleyn.com

## Equipment

### Chassis

Number of axles	3
Loading Capacity	28,980 kg
Own weight	10,020 kg
Gross vehicle weight	39,000 kg
Chassis type	Complete chassis
Chassis material	steel
Kingpin size	2 inch
Central lubrication	✓
Suspension type	full air suspension

### Cabin

Color	Multicolored
-------	--------------

### Drivetrain

ABS	✓
EBS	✓

### Superstructure

Matr. year superstructure	1,998
---------------------------	-------

### Refrigeration unit

Enginetype frigo-unit	Carrier
Enginetype frigo-unit	maxima1300
Enginetype frigo-unit	fuel
Working hours diesel	8,245
Wall thickness	45 mm

### Axle

Axle make	BPW
-----------	-----

### Taillift

Taillift	✓
Tail-lift kind	sliderlift

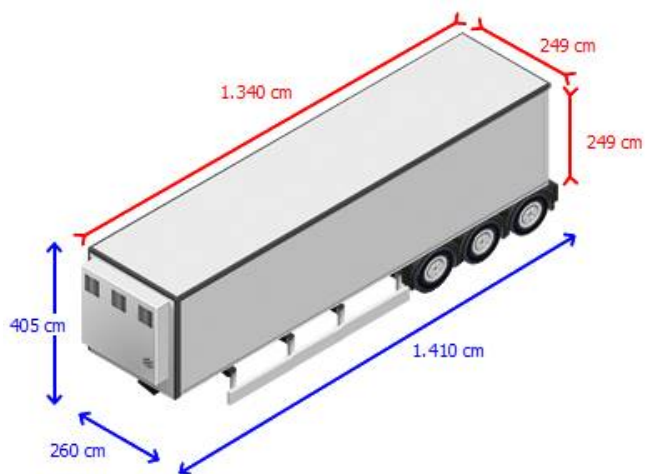
### Taillift

Tail-lift capacity	2,000 kg
Tail-lift make	stama
Tail-lift material	steel
Tail-lift voltage	24

### Inspection report

Superstructure	★★★★★
Internal condition	★★★★★
External condition	★★★★★
Refrigeration unit	★★★★★
Systems	★★★★★
Taillift	★★★★★
Controls	★★★★★
System	★★★★★
Tyres/Wheels	★★★★★
Tyres	★★★★★

★★★★★★	Very good state
★★★★★	Good state
★★★★	Reasonable state
★★★	Moderate state
★	Does not meet requirements



### Tires and axles

